

**M** MICRO SWITCH  
 FREEPORT ILLINOIS  
 A DIVISION OF HONEYWELL  
 FED. MFG. CODE 91929

**SWITCH-BASIC**

CATALOG LISTING  
**V3-1003**

MILITARY STDS PARTS NO.  
 MS 25253-2

**CK-L0300**

S

V3-1003

M

DRAWING NUMBER

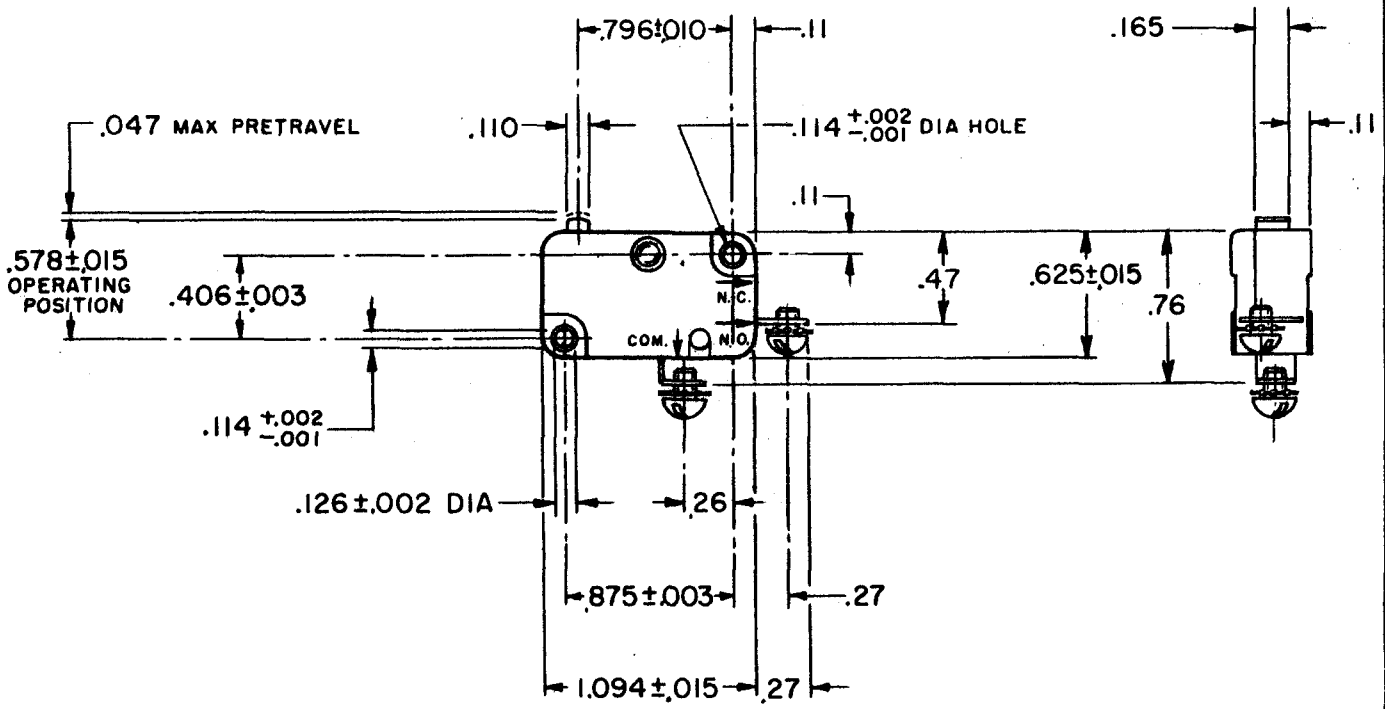
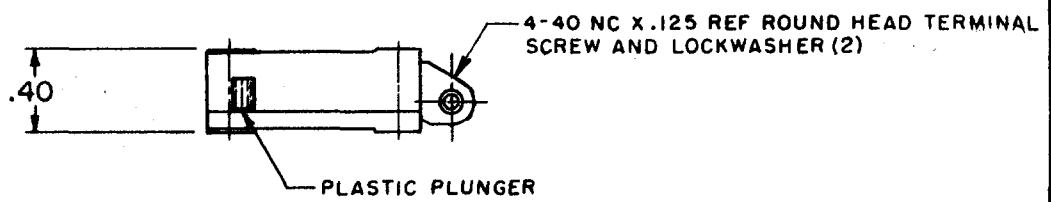
12

ISSUE

REPLACES SR 10662 RELEASE NO. 19 NOV 04 CHECK AK BRJ 7, DEC '62 DAW 7, DEC '62 CHECK 62 DEC 62

REVISIONS

G	CO45436	D J W	31 JAN 79
H	CO74927	RDR	11 MAY 93
J	CO 76499	DCS	6 JAN 94
K	CO 78754	DCS	23 SEP 94
L	0009549	DVM	19 NOV 04



NOTES

- 1 - MARK "MS-25253-2" AND SOURCE CODE "91929" ON SWITCH AND LABEL OF PACKING BOX
- 2 - MARK SWITCH WITH CATALOG LISTING AND DATE CODE

THIS DRAWING COVERS A PROPRIETARY ITEM AND IS THE PROPERTY OF MICRO SWITCH, A DIVISION OF MINNEAPOLIS-HONEYWELL REGULATOR CO. THIS DRAWING IS NOT TO BE COPIED OR USED WITHOUT THE APPROVAL OF MICRO SWITCH.

CHARACTERISTICS	ELECTRICAL DATA
OPERATING FORCE ----- 6-14 OZ	CONTACT ARRANGEMENT S P N O
RELEASE TRAVEL ----- .007 MIN	
RELEASE FORCE ----- 4 OZ MIN	
DIFFERENTIAL TRAVEL ----- .006-.016	
OVERTRAVEL ----- .040 MIN	
FREE POSITION ----- .625 MAX	

SCALE	FULL
DO NOT SCALE PRINT	
UNLESS OTHERWISE SPECIFIED DIMENSIONS ARE IN INCHES	
TOLERANCES ARE:	
ONE PLACE	(.0) ±.030
TWO PLACE	(.00) ±.015
THREE PLACE	(.000) ±.005
ANGLES	±
WEIGHT 8.3 GRAMS	

FO-30378

DRAWN

LMH 6 DEC 62